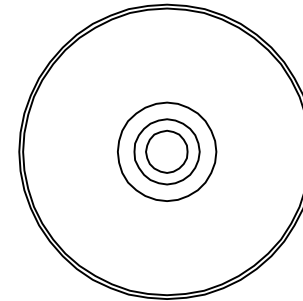
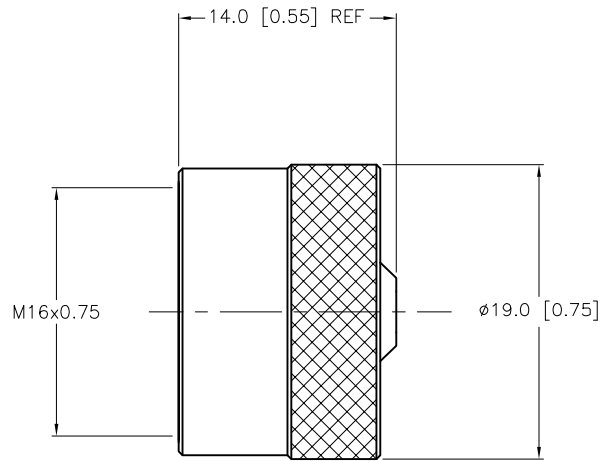


SPECIFICATIONS

CAP MATERIAL/PLATING	BRASS/NICKEL
GASKET MATERIAL	RUBBER



SOURCE DRAWING - FOR REFERENCE ONLY

RELATED DOCUMENTS		3RD ANGLE PROJECTION	THIS DRAWING IS CONFIDENTIAL AND THE PROPERTY OF TURCK INC. USE OF THIS DOCUMENT WITHOUT WRITTEN PERMISSION IS PROHIBITED.		3000 CAMPUS DRIVE MINNEAPOLIS, MN 55441 1-800-544-7769 (763) 553-7300 (763) 553-0708 fax www.turck.us	
1.			DRFT	RWC	DATE	08/26/08
2.			APVD		SCALE	1 = .5
3.		ALL DIMENSIONS DISPLAYED ON THIS DRAWING ARE FOR REFERENCE ONLY	UNIT OF MEASUREMENT		DESCRIPTION	
4.			MILLIMETER [INCH]		BKM-MC	
MATERIAL		CONTACT TURCK FOR MORE INFORMATION	IDENTIFICATION NO.		REV	
SEE SPECIFICATIONS			U2-14608		B	
FINISH		DO NOT SCALE THIS DRAWING		FILE: U2-14608		SHEET 1 OF 1
SEE SPECIFICATIONS						

B	UPDATE	NF	04/28/23	500000008172
REV	DESCRIPTION	BY	DATE	ECO NO.